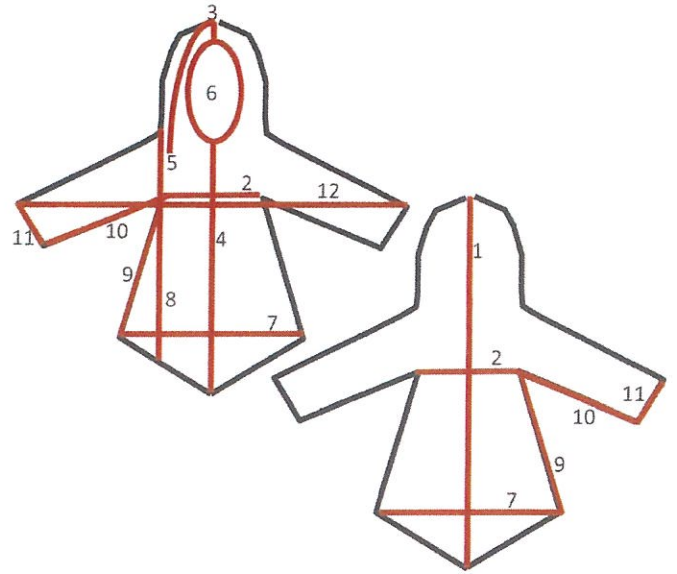


Item name	Parka for man		
Geographical region	West Greenland		
Inv.no. / Inventarnummer	L.7830		
Identification / ObjectID	67944		
	Parka	Pels	cm
1	Back length	Ryglængde	88
2	Chest width	Brystvidde	96
3	Crown length	Isselængde	13
4	Front length	Forlængde	64
5	Hood height	Hættesidehøjde	34
6	Hood opening circumference	Hætteåbningsomkreds	70
7	Lower circumference	Undervidde	91
8	Shoulder height	Skulderhøjde	61
9	Side height	Sidehøjde	43
10	Sleeve length	Ærmeinderlængde	49
11	Wrist circumference	Håndledsomkreds	25
12	Wrist-to-wrist length	Favnmaal	138

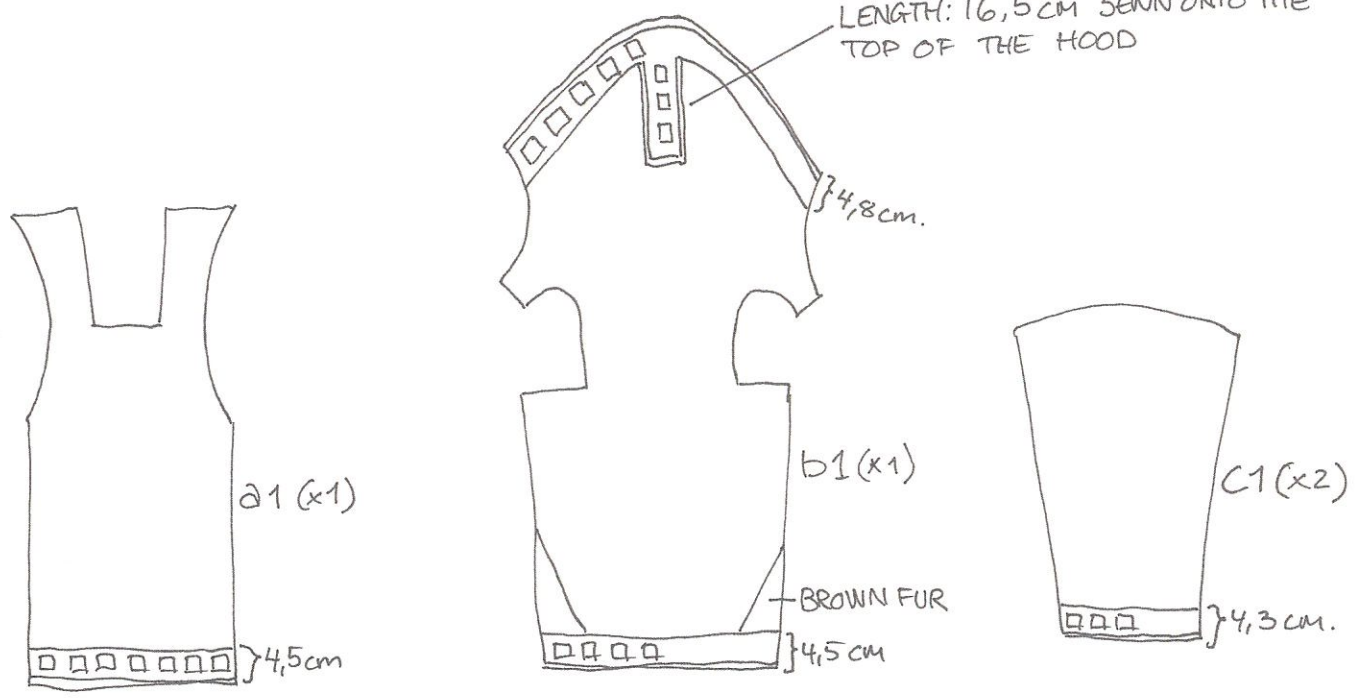


Notes / noter A.H. Petersen & A.L. Schmidt May 2020

STITCHES:

SEAMS: OVERCAST 30 PR. 10CM.
 LININGS: OVERCAST 50-60 PR. 10CM.

THE INSIDE OF THE HOOD IS LINED WITH RED WOOLEN TEXTILE
 LENGTH: 16,5CM SEW ON TO THE TOP OF THE HOOD



THE SAME TYPE OF LINING (SEE PHOTO) ON FRONT, BACK, SLEEVES AND HOOD IS NOT INCLUDED IN RECORDING

